

## DC TO 10KHZ FREQUENCY RANGE

### DESCRIPTION

The model VT8 RMS voltage transducer provides an output directly proportional to the true RMS value of the input. Input voltages may be dc, ac, non-sinusoidal or complex combinations of these waveforms.

A wide variety of standard input ranges and output types are available. Consult factory for special ranges.

### FEATURES

- True RMS measurement
- 2500Vac dielectric test
- Wide frequency range

### APPLICATIONS

- Accurate measurement of dc, ac and non-sinusoidal waveforms.



**5 YEAR WARRANTY**

## MODEL SELECTION

INPUT (mV)	STANDARD OUTPUTS MODEL VT8-			
	0-1mAdc	4-20mAdc	0-10Vdc	0-5Vdc
0 - 50	015B	015E	015D	015X5
0 - 100	016B	016E	016D	016X5
0 - 200	017B	017E	017D	017X5
0 - 250	018B	018E	018D	018X5

INPUT (Volts)	STANDARD OUTPUTS MODEL VT8-			
	0-1mAdc	4-20mAdc	0-10Vdc	0-5Vdc
0 - 10	001B	001E	001D	001X5
0 - 25	002B	002E	002D	002X5
0 - 50	003B	003E	003D	003X5
0 - 100	004B	004E	004D	004X5
0 - 150	005B	005E	005D	005X5
0 - 250	006B	006E	006D	006X5
0 - 300	007B	007E	007D	007X5
0 - 400	008B	008E	008D	008X5
0 - 500	009B	009E	009D	009X5
0 - 600	010B	010E	010D	010X5
*0 - 700	011B	011E	011D	011X5
*0 - 800	012B	012E	012D	012X5
*0 - 900	013B	013E	013D	013X5
*0 - 1000	014B	014E	014D	014X5

\* Supplied with external divider box.

### Instrument Power Options

Option “-11” ..... 115Vac ±15%, 50/60Hz, 5VA

Option “-22” ..... 230Vac ±15%, 50/60Hz, 5VA

Options “-12”, “-15”, “-24”, “-28”, “-37”, “-48” .....  
12Vdc thru 48Vdc, ±10%, 150mA max.

Standard models contain a universal switching power supply. “-11” & “-22” models utilize a linear power supply.

### ORDERING INFORMATION

Example: 0-100Vac Input with  
0-10Vdc Output and 115Vac Instr. Pwr.

**VT8-004D-11**

## SPECIFICATIONS

### INPUT

Voltage ..... See Table  
 Frequency Range ..... dc-10kHz  
 Overload  
 0.05-600V models ..... 2XF.S. or 600Vac/850Vdc max.  
 700V-1000V models (w/external divider box) ..... 1.25XF.S.  
 Burden ..... >100kΩ

### DIELECTRIC TEST

Input/Output/Case ..... 2500Vac

### INSTRUMENT POWER

Standard ... 85-265Vac, 48-420Hz, 5VA or 110-370Vdc, 5VA  
 “-11” option ..... 115Vac ±15%, 50/60Hz, 5VA  
 “-22” option ..... 230Vac ±15%, 50/60Hz, 5VA  
 “-12”, “-15”, “-24” options .... 12, 15, or 24Vdc ±10%, 150mA max.  
 “-28”, “-37”, “-48” options .... 28, 37, or 48Vdc ±10%, 150mA max.

### OUTPUT

Type ..... See Table  
 Response ..... (to 90%) ..... 100ms  
 Loading  
 “B” models ..... (0-1mAdc) ..... 0-10kΩ  
 “D”, “X5” models ..... (0-10, 0-5Vdc) ..... >2kΩ  
 “E” models ..... (4-20mAdc) ..... 0-500Ω  
 Field Adjustable Cal. .... ±10%

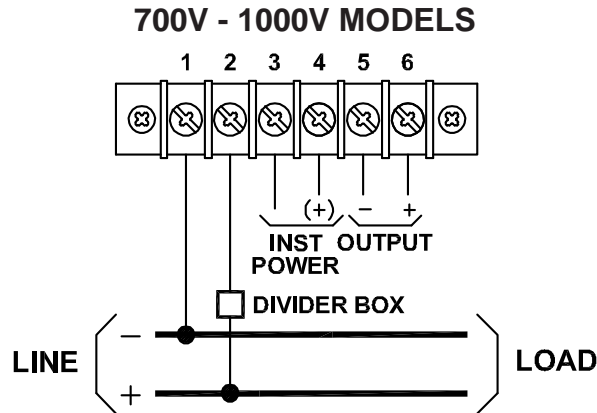
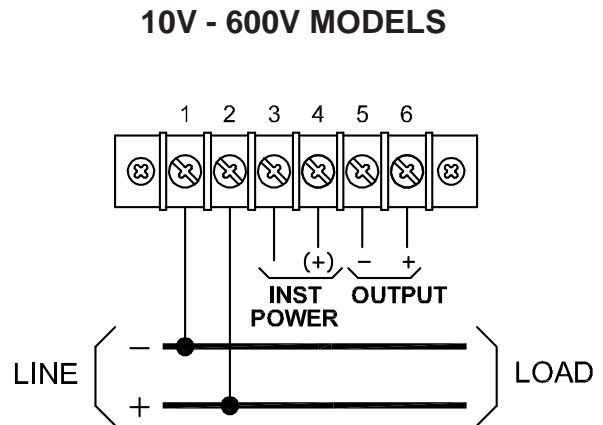
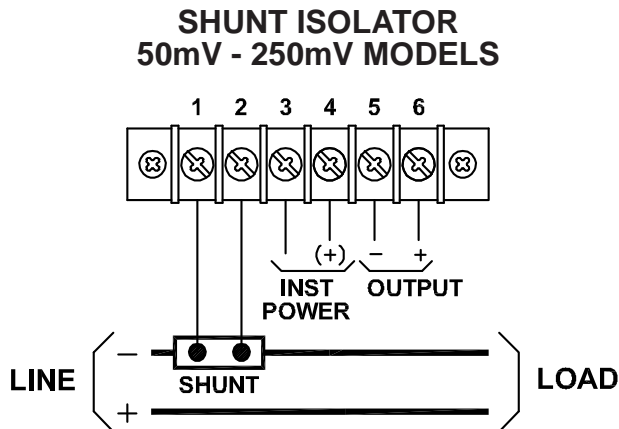
### ACCURACY

Includes effects of linearity, setpoint and repeatability.  
 All Models ..... ±0.25% F.S. @ 48-420Hz

### TEMPERATURE

Operating Range ..... -10°C to 60°C  
 Effect ..... ±1.0% Rdg., ±0.1%F.S.

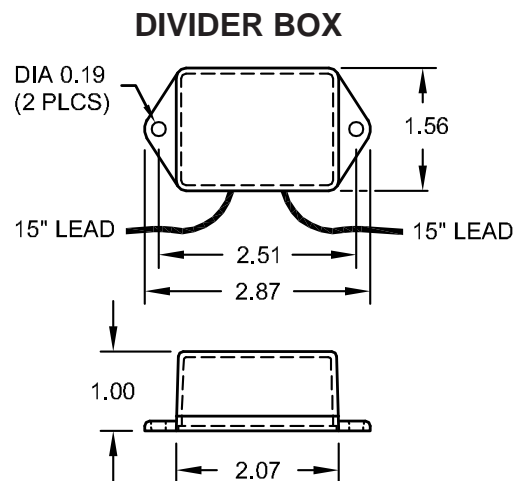
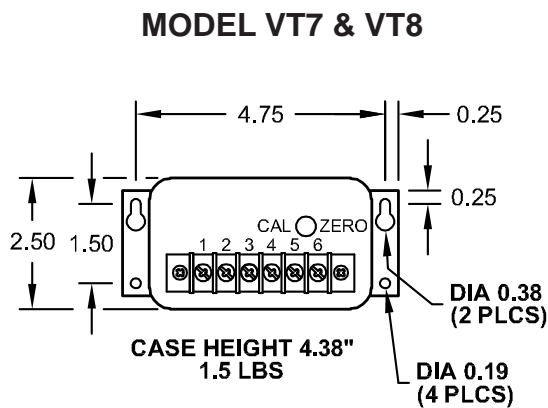
**CONNECTION DIAGRAMS**



Dwg# 0902-00847-B Rev B

Note: All models above 600V input require a divider box in series with the input terminal #2.  
Do not connect the input voltage directly! Damage to the VT8 will result if not properly connected.

**CASE DIMENSIONS**



All dimensions in inches

Dwg# 0902-00847-B Rev B